

# TECHNICAL BULLETIN

Issue No.02

Date 23/09/15

Author:PZs

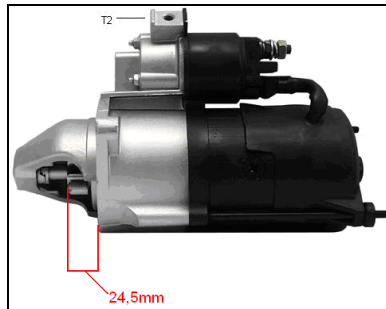
This technical bulletin created for the first and second generation 2.3 and 2.8JTD FIAT engine starter applications.

On the first generation 2.3 and 2.8JTD engine Fiat used on the Marelli/Denso:63114014 and Bosch: 0001218159, 0001223013 / 0986017020, 0986018960 starters an adaptor flange. The Fiat number of the flange: **1327137080, 1327138080,5978701**



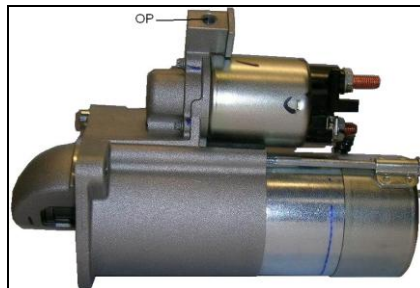
On the second generation engines Fiat did not use the adaptor flange, that causes the different pinion rest position.

## FIRST GENERATION STARTER



The pinion rest position is 24,5mm. The starter is assembled on the engine with an adaptor flange (the pinion rest position with the adaptor flange is same as the position of the new generation starter).

## SECOND GENERATION STARTER



The pinion rest position is 2mm.

**Please do not use the adaptor flange, if you receive the second generation unit!**