

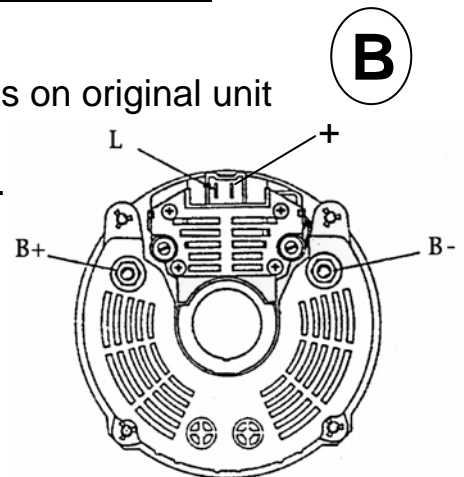
IMPORTANT INFORMATION

Please, take the following steps to replace an alternator with one lucar (L), when an alternator is supplied with two lucar terminals (L and +) on the regulator (see Fig. B) :

Steps to fit an alternator with different plug connections:

1. Install replacement alternator.
2. Connect B+, B- and L terminal to alternator as on original unit
3. Connect the + terminal on the regulator (5mm lucar) to an ignition (15) controlled supply.

Do not connect to a direct battery + supply.



If the ignition supply is not connected, the alternator will not charge !!!

Take the following steps to replace an alternator with two lucar terminals (L and +), when an alternator is supplied with one lucar (L) terminal on the regulator (see Fig. A).

1. Install replacement alternator.
2. Connect B+ and B- terminals as normal.
3. The inhibited moulded plug can be connected straight onto the regulator without any modification.

If the regulator has no matching plug, isolate the L terminal (6.3mm lucar) from the vehicle plug and attach it to the regulator L terminal. Insulate and tape back the remaining (+) ignition wire (5mm lucar).

